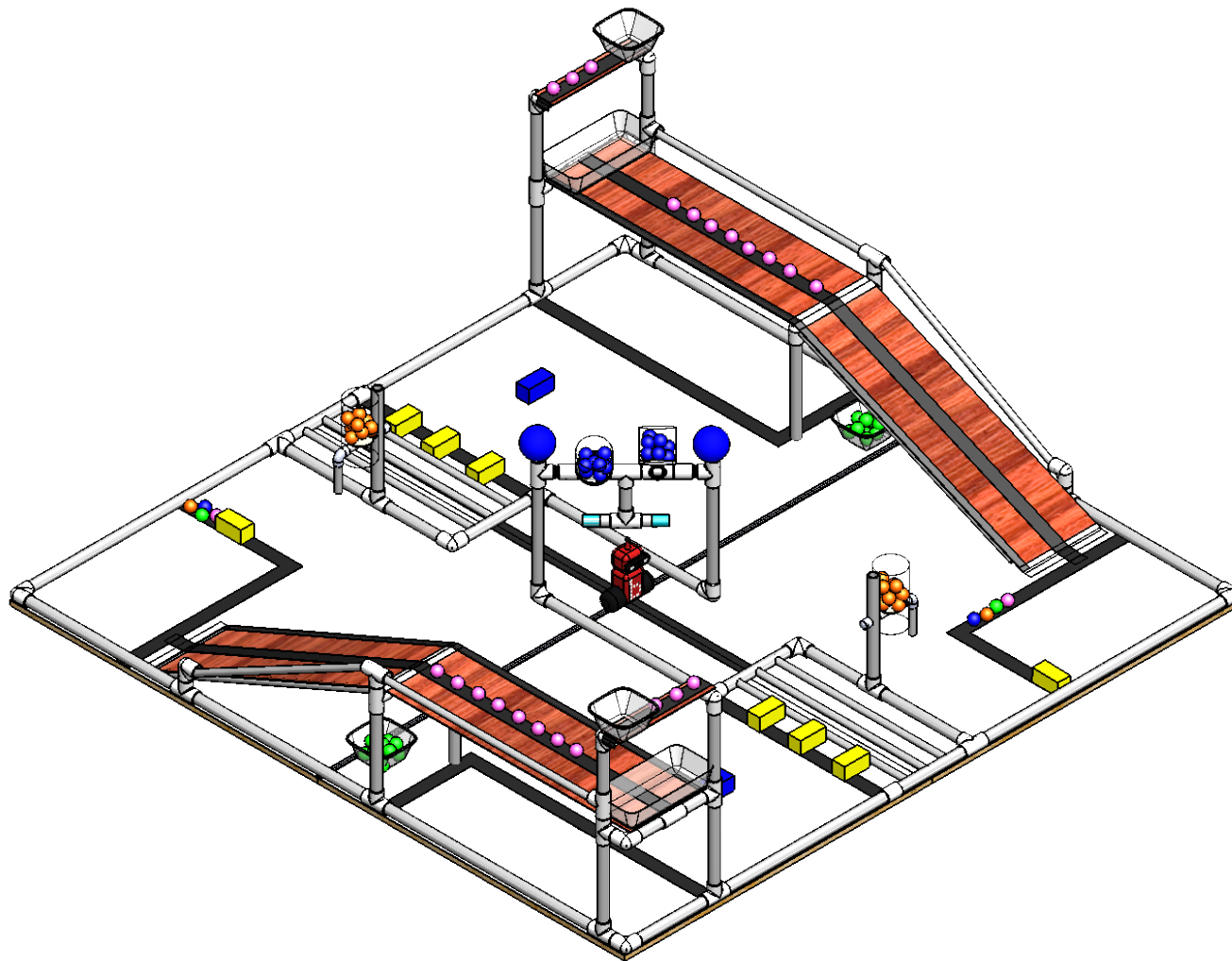


2

1

B

B



A

A

**PROPRIETARY AND CONFIDENTIAL**  
 THE INFORMATION CONTAINED IN THIS DRAWING IS THE SOLE PROPERTY OF <INSERT COMPANY NAME HERE>. ANY REPRODUCTION IN PART OR AS A WHOLE WITHOUT THE WRITTEN PERMISSION OF <INSERT COMPANY NAME HERE> IS PROHIBITED.

		UNLESS OTHERWISE SPECIFIED:		NAME	DATE
		DIMENSIONS ARE IN INCHES	DRAWN		
		TOLERANCES:	CHECKED		
		FRACTIONAL ±	ENG APPR.		
		ANGULAR: MACH ± BEND ±	MFG APPR.		
		TWO PLACE DECIMAL ±	Q.A.		
		THREE PLACE DECIMAL ±	COMMENTS:		
		INTERPRET GEOMETRIC TOLERANCING PER:			
		MATERIAL			
		FINISH			
NEXT ASSY	USED ON				
APPLICATION		DO NOT SCALE DRAWING			

TITLE:		
SIZE	DWG. NO.	REV
<b>A</b>	<b>2017 Table</b>	
SCALE: 1:50	WEIGHT:	SHEET 1 OF 15

2

1

2

1

ITEM NO.	PART NUMBER	DESCRIPTION	QTY.
1	Particle Board 4' x 4' x 5/8" thick	Comes in 8' lengths	4
2	FRP 4' x 4'	White, sold in 8' lengths Lowes Item # 8566	4
3	FRP Divider 48" long	White, sold in 8' lengths Lowes Item # 8567 (see note 1)	2
4	4 in tube cap	Provided	2
5	4 in tube x 4 in	cut fom 24" long 4" diameter tube	2
6	4 in tube x 8 in	cut fom 24" long 4" diameter tube	2
7	3 in wood circle	cut from 4ft x 4ft x 0.125in plywood	2
8	39" x 12" x 5mm thick plywood	cut from 4ft x 4ft x 5mm plywood	4
9	15" x 3" x 1/8" thick plywood	cut from 4ft x 4ft x 0.125in plywood	2
10	4.5 inch pvc	0.5" SCH 40	2
11	6.875 inch pvc	0.5" SCH 40	2
12	16 inch pvc	0.5" SCH 40	1
13	27 inch pvc	0.5" SCH 40	6
14	32.75 inch pvc	0.5" SCH 40	2
15	36 inch pvc	0.5" SCH 40	4
16	36.625 inch pvc	0.5" SCH 40	2
17	cap 0.5 in pvc	0.5" SCH 40	2
18	elbow 0.5 in pvc	0.5" SCH 40	2

ITEM NO.	PART NUMBER	DESCRIPTION	QTY.
19	01.5 inch pvc	1" SCH 40	14
20	3.625 inch pvc	1" SCH 40	2
21	4 inch pvc	1" SCH 40	2
22	5 inch pvc	1" SCH 40	1
23	5.375 inch pvc	1" SCH 40	2
24	5.5 inch pvc	1" SCH 40	4
25	7.625 inch pvc	1" SCH 40	2
26	10.125 inch pvc	1" SCH 40	2
27	11.0 inch pvc	1" SCH 40	2
28	12 inch pvc	1" SCH 40	4
29	12.25 inch pvc	1" SCH 40	2
30	12.5 inch pvc	1" SCH 40	6
31	14 inch pvc	1" SCH 40	4
32	14.5 inch pvc	1" SCH 40	2
33	15 inch pvc	1" SCH 40	2
34	24.75 inch pvc	1" SCH 40	2
35	25.5 inch pvc	1" SCH 40	2
36	26.75 inch pvc	1" SCH 40	2

ITEM NO.	PART NUMBER	DESCRIPTION	QTY.
37	28.25 inch pvc	1" SCH 40	2
38	33.875 inch pvc	1" SCH 40	2
39	37.25 inch pvc	1" SCH 40	2
40	39.125 inch pvc	1" SCH 40	2
41	Coupler	1" SCH 40	4
42	PVC T Connector	1" SCH 40	32
43	PVC Elbow Connector	1" SCH 40	20
44	1 in to 0.5 in reducer	SCH 40	2
45	Black Duct tape	Duck Brand Duct tape	1 Roll
46	White Duct tape	Duck Brand Duct tape	1 Roll
47	Aqua Duct tape	Duck Brand Duct tape SKU# 1265020	1 Roll

B

B

A

A

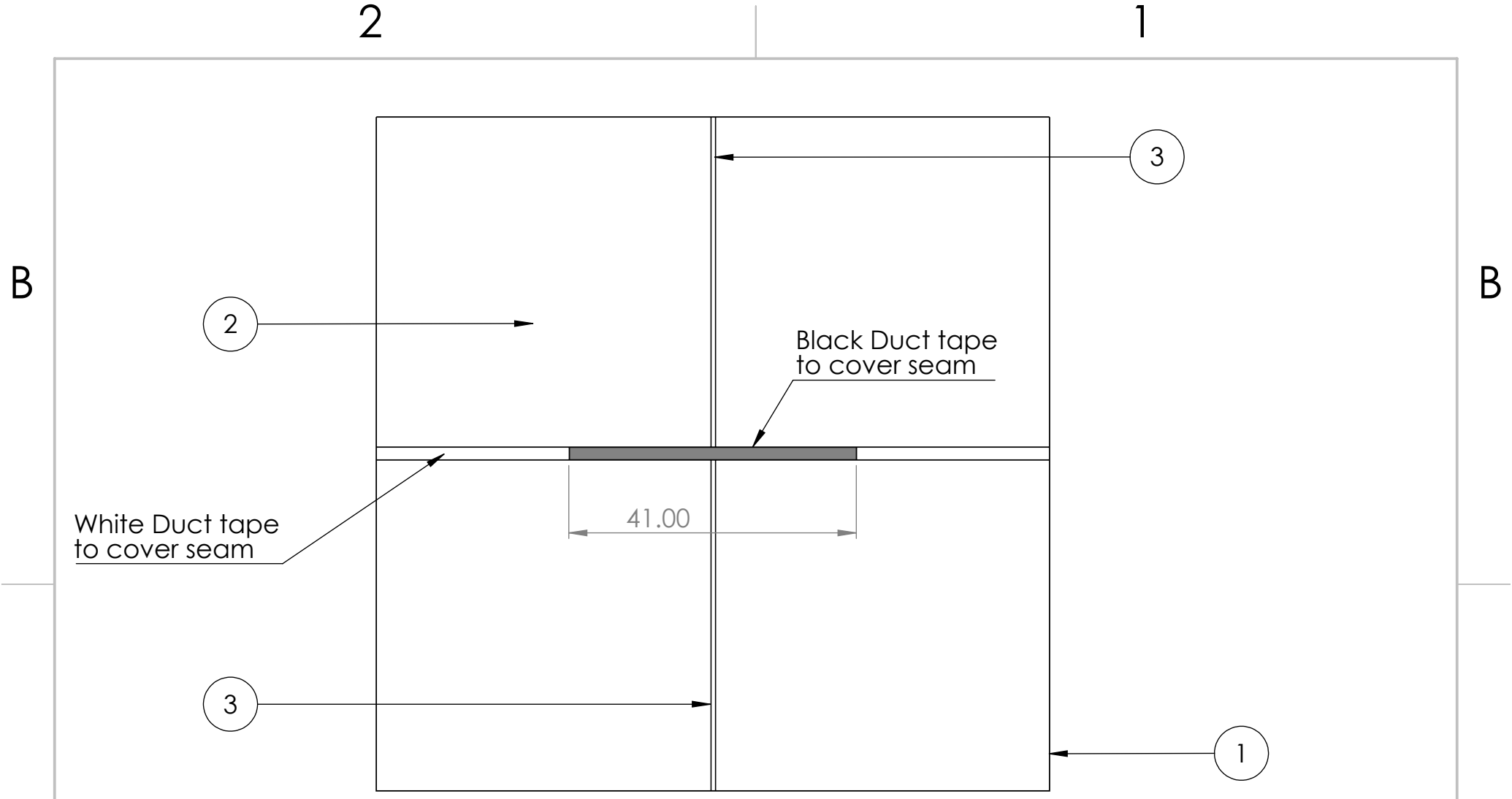
**PROPRIETARY AND CONFIDENTIAL**  
 THE INFORMATION CONTAINED IN THIS DRAWING IS THE SOLE PROPERTY OF <INSERT COMPANY NAME HERE>. ANY REPRODUCTION IN PART OR AS A WHOLE WITHOUT THE WRITTEN PERMISSION OF <INSERT COMPANY NAME HERE> IS PROHIBITED.

		UNLESS OTHERWISE SPECIFIED:		NAME	DATE
		DIMENSIONS ARE IN INCHES TOLERANCES: FRACTIONAL ± ANGULAR: MACH ± BEND ± TWO PLACE DECIMAL ± THREE PLACE DECIMAL ±	DRAWN		
			CHECKED		
			ENG APPR.		
			MFG APPR.		
		INTERPRET GEOMETRIC TOLERANCING PER:	Q.A.		
		MATERIAL	COMMENTS:		
NEXT ASSY	USED ON	FINISH			
APPLICATION		DO NOT SCALE DRAWING			

TITLE:		
SIZE	DWG. NO.	REV
<b>A</b>	<b>2017 Table</b>	
SCALE: 1:50	WEIGHT:	SHEET 2 OF 15

2

1



White Duct tape to cover seam

Black Duct tape to cover seam

41.00

A

A

**PROPRIETARY AND CONFIDENTIAL**  
 THE INFORMATION CONTAINED IN THIS DRAWING IS THE SOLE PROPERTY OF <INSERT COMPANY NAME HERE>. ANY REPRODUCTION IN PART OR AS A WHOLE WITHOUT THE WRITTEN PERMISSION OF <INSERT COMPANY NAME HERE> IS PROHIBITED.

		UNLESS OTHERWISE SPECIFIED:		NAME	DATE
		DIMENSIONS ARE IN INCHES	DRAWN		
		TOLERANCES:	CHECKED		
		FRACTIONAL ±	ENG APPR.		
		ANGULAR: MACH ± BEND ±	MFG APPR.		
		TWO PLACE DECIMAL ±	Q.A.		
		THREE PLACE DECIMAL ±	COMMENTS:		
		INTERPRET GEOMETRIC TOLERANCING PER:			
		MATERIAL			
NEXT ASSY	USED ON	FINISH			
APPLICATION		DO NOT SCALE DRAWING			

TITLE:		
SIZE	DWG. NO.	REV
<b>A</b>	<b>2017 Table</b>	
SCALE: 1:50	WEIGHT:	SHEET 3 OF 15

2

1

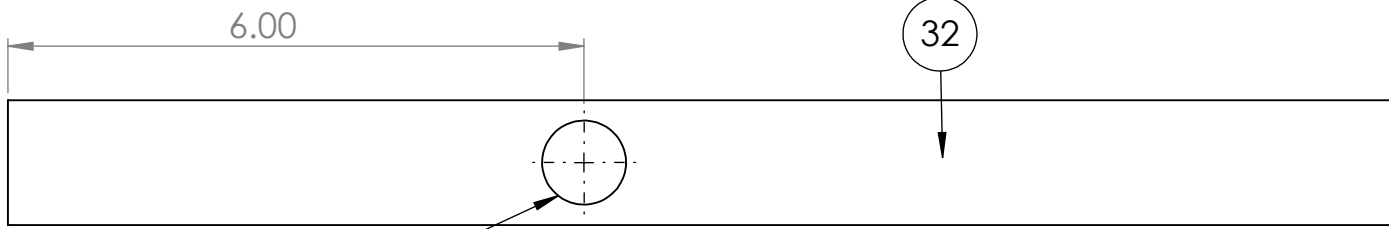
2

1

B

B

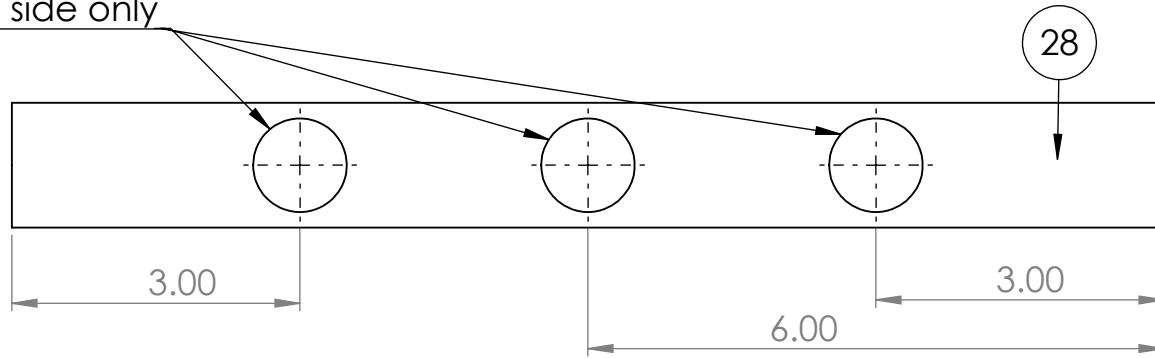
This end goes into T connector



Hole through both sides

All Holes 7/8" diameter.  
Repeat for all PVC of these lengths.

Hole through one side only



A

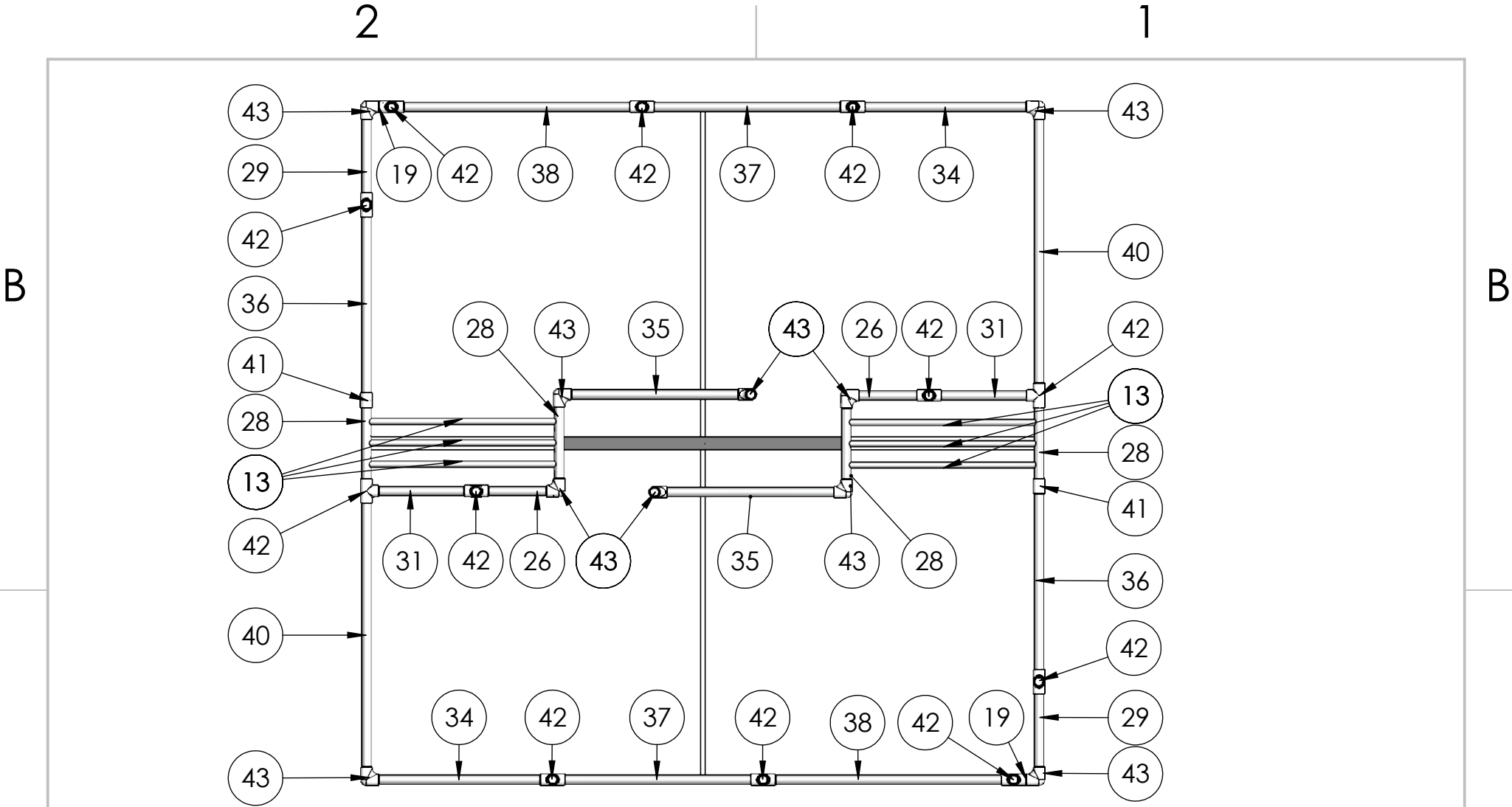
A

		UNLESS OTHERWISE SPECIFIED:		NAME	DATE	TITLE:	
		DIMENSIONS ARE IN INCHES		DRAWN			
		TOLERANCES:		CHECKED			
		FRACTIONAL ±		ENG APPR.			
		ANGULAR: MACH ± BEND ±		MFG APPR.			
		TWO PLACE DECIMAL ±		Q.A.		SIZE DWG. NO. REV	
		THREE PLACE DECIMAL ±		COMMENTS:		A 2017 Table	
		INTERPRET GEOMETRIC TOLERANCING PER:				SCALE: 1:50 WEIGHT: SHEET 4 OF 15	
		MATERIAL					
NEXT ASSY		USED ON					
APPLICATION		DO NOT SCALE DRAWING					

**PROPRIETARY AND CONFIDENTIAL**  
 THE INFORMATION CONTAINED IN THIS DRAWING IS THE SOLE PROPERTY OF <INSERT COMPANY NAME HERE>. ANY REPRODUCTION IN PART OR AS A WHOLE WITHOUT THE WRITTEN PERMISSION OF <INSERT COMPANY NAME HERE> IS PROHIBITED.

2

1



A

A

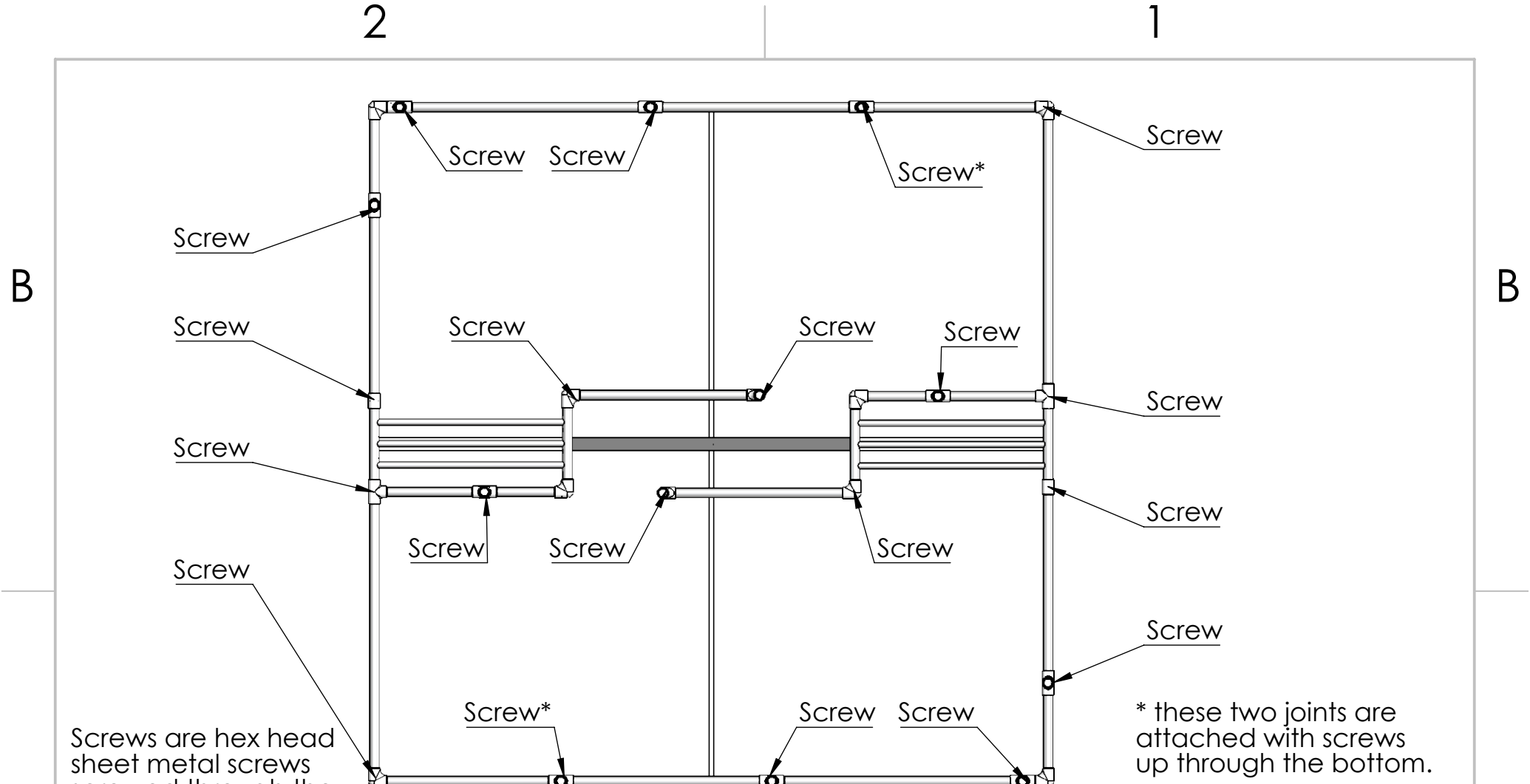
**PROPRIETARY AND CONFIDENTIAL**  
 THE INFORMATION CONTAINED IN THIS DRAWING IS THE SOLE PROPERTY OF <INSERT COMPANY NAME HERE>. ANY REPRODUCTION IN PART OR AS A WHOLE WITHOUT THE WRITTEN PERMISSION OF <INSERT COMPANY NAME HERE> IS PROHIBITED.

		UNLESS OTHERWISE SPECIFIED:		NAME	DATE
		DIMENSIONS ARE IN INCHES	DRAWN		
		TOLERANCES:	CHECKED		
		FRACTIONAL ±	ENG APPR.		
		ANGULAR: MACH ± BEND ±	MFG APPR.		
		TWO PLACE DECIMAL ±	Q.A.		
		THREE PLACE DECIMAL ±	COMMENTS:		
		INTERPRET GEOMETRIC TOLERANCING PER:			
		MATERIAL			
		FINISH			
NEXT ASSY	USED ON				
APPLICATION		DO NOT SCALE DRAWING			

TITLE:		
SIZE	DWG. NO.	REV
<b>A</b>	<b>2017 Table</b>	
SCALE: 1:50	WEIGHT:	SHEET 5 OF 15

2

1



Screws are hex head sheet metal screws screwed through the PVC, FRP and into the wood underlayment. Connectors will have a 7/8" hole drilled in the top to recess screw head in PVC connector.

\* these two joints are attached with screws up through the bottom.

**PROPRIETARY AND CONFIDENTIAL**  
 THE INFORMATION CONTAINED IN THIS DRAWING IS THE SOLE PROPERTY OF <INSERT COMPANY NAME HERE>. ANY REPRODUCTION IN PART OR AS A WHOLE WITHOUT THE WRITTEN PERMISSION OF <INSERT COMPANY NAME HERE> IS PROHIBITED.

		UNLESS OTHERWISE SPECIFIED:		NAME	DATE
		DIMENSIONS ARE IN INCHES	DRAWN		
		TOLERANCES:	CHECKED		
		FRACTIONAL ±	ENG APPR.		
		ANGULAR: MACH ± BEND ±	MFG APPR.		
		TWO PLACE DECIMAL ±	Q.A.		
		THREE PLACE DECIMAL ±	COMMENTS:		
		INTERPRET GEOMETRIC TOLERANCING PER:			
		MATERIAL			
		FINISH			
NEXT ASSY	USED ON				
APPLICATION		DO NOT SCALE DRAWING			

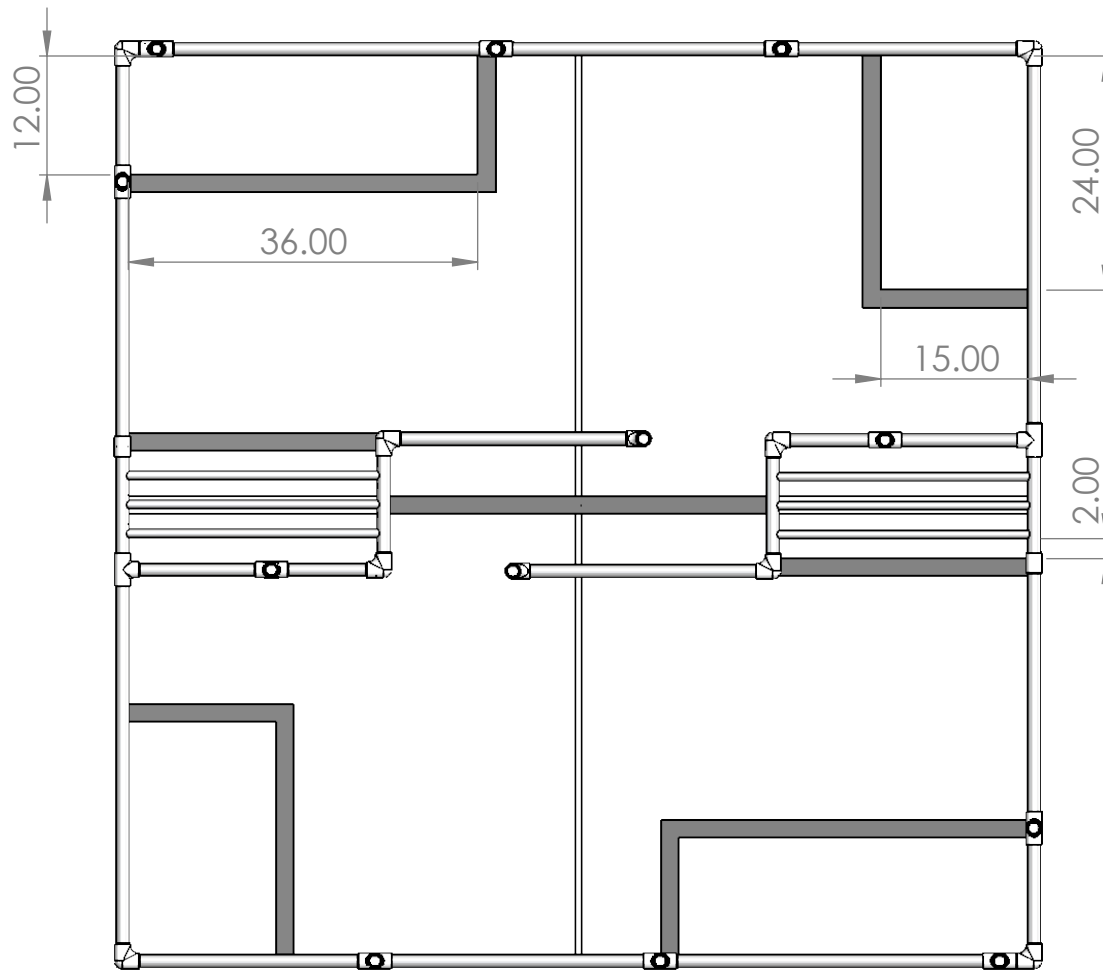
TITLE:		
SIZE	DWG. NO.	REV
<b>A</b>	<b>2017 Table</b>	
SCALE: 1:50 WEIGHT:		SHEET 6 OF 15

B

A

B

A

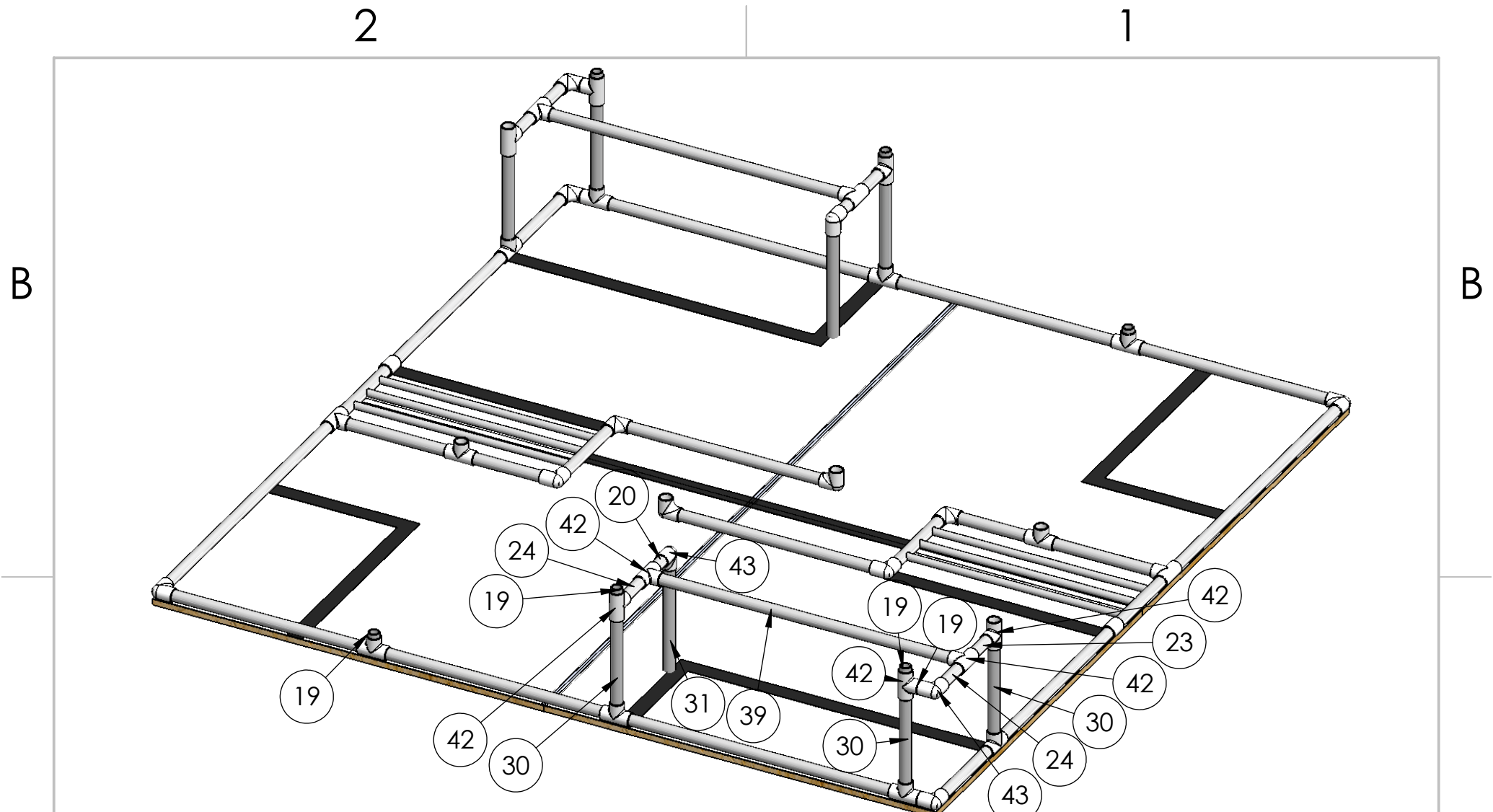


		UNLESS OTHERWISE SPECIFIED:		NAME	DATE			
		DIMENSIONS ARE IN INCHES		DRAWN		TITLE:		
		TOLERANCES:		CHECKED				
		FRACTIONAL $\pm$		ENG APPR.				
		ANGULAR: MACH $\pm$ BEND $\pm$		MFG APPR.				
		TWO PLACE DECIMAL $\pm$		Q.A.				
		THREE PLACE DECIMAL $\pm$		COMMENTS:				
		INTERPRET GEOMETRIC TOLERANCING PER:				SIZE	DWG. NO.	REV
		MATERIAL				<b>A</b>		<b>2017 Table</b>
		NEXT ASSY	USED ON					
		APPLICATION		DO NOT SCALE DRAWING		SCALE: 1:50		WEIGHT:
								SHEET 7 OF 15

**PROPRIETARY AND CONFIDENTIAL**  
 THE INFORMATION CONTAINED IN THIS DRAWING IS THE SOLE PROPERTY OF <INSERT COMPANY NAME HERE>. ANY REPRODUCTION IN PART OR AS A WHOLE WITHOUT THE WRITTEN PERMISSION OF <INSERT COMPANY NAME HERE> IS PROHIBITED.

2

1



A

A

**PROPRIETARY AND CONFIDENTIAL**  
 THE INFORMATION CONTAINED IN THIS DRAWING IS THE SOLE PROPERTY OF <INSERT COMPANY NAME HERE>. ANY REPRODUCTION IN PART OR AS A WHOLE WITHOUT THE WRITTEN PERMISSION OF <INSERT COMPANY NAME HERE> IS PROHIBITED.

		UNLESS OTHERWISE SPECIFIED:	NAME	DATE
		DIMENSIONS ARE IN INCHES	DRAWN	
		TOLERANCES:	CHECKED	
		FRACTIONAL ±	ENG APPR.	
		ANGULAR: MACH ± BEND ±	MFG APPR.	
		TWO PLACE DECIMAL ±	Q.A.	
		THREE PLACE DECIMAL ±	COMMENTS:	
		INTERPRET GEOMETRIC TOLERANCING PER:		
		MATERIAL		
NEXT ASSY	USED ON	FINISH		
APPLICATION		DO NOT SCALE DRAWING		

TITLE:		
SIZE	DWG. NO.	REV
<b>A</b>	<b>2017 Table</b>	
SCALE: 1:50	WEIGHT:	SHEET 8 OF 15

2

1

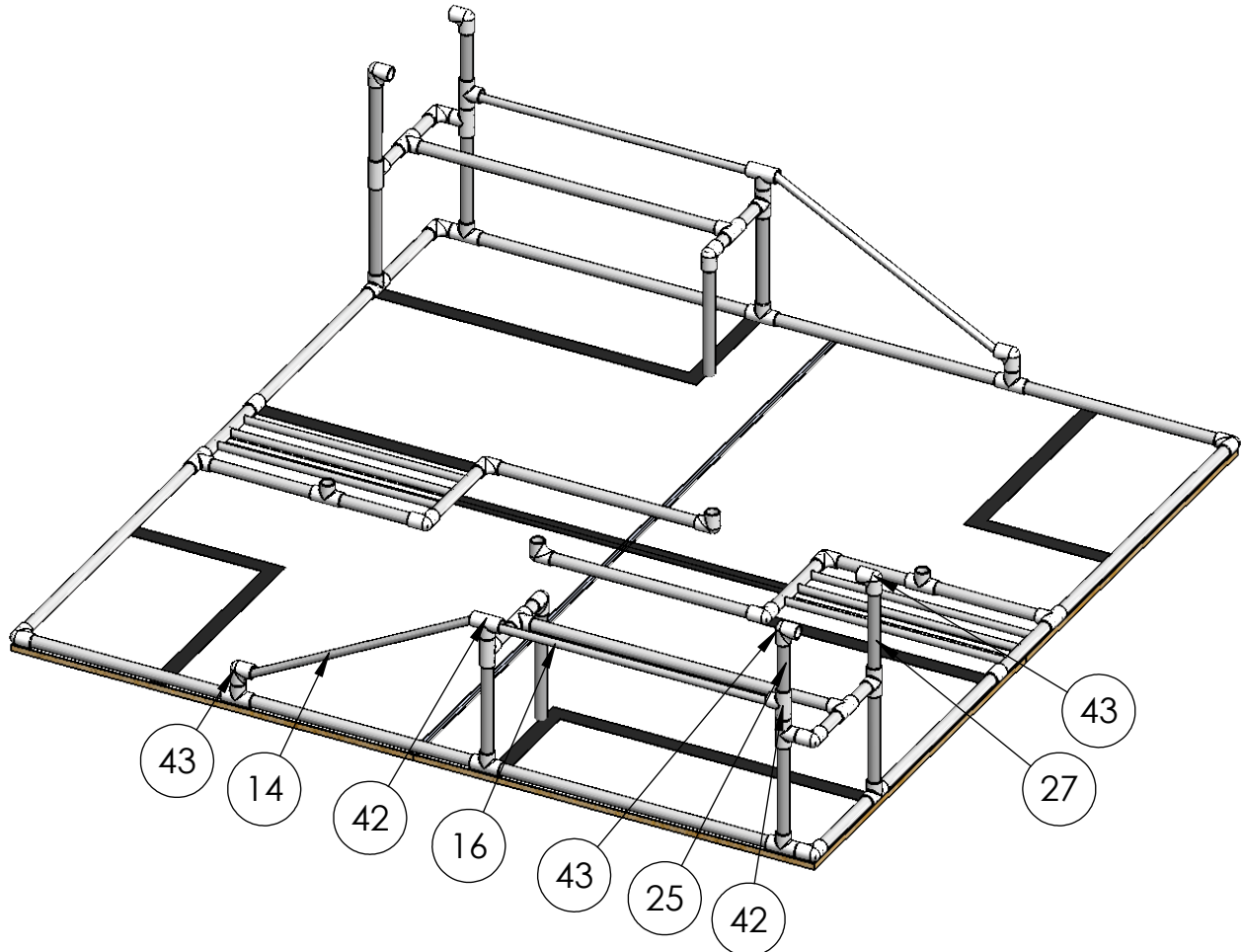


2

1

B

B



A

A

**PROPRIETARY AND CONFIDENTIAL**  
 THE INFORMATION CONTAINED IN THIS DRAWING IS THE SOLE PROPERTY OF <INSERT COMPANY NAME HERE>. ANY REPRODUCTION IN PART OR AS A WHOLE WITHOUT THE WRITTEN PERMISSION OF <INSERT COMPANY NAME HERE> IS PROHIBITED.

		UNLESS OTHERWISE SPECIFIED:		NAME	DATE
		DIMENSIONS ARE IN INCHES	DRAWN		
		TOLERANCES:	CHECKED		
		FRACTIONAL ±	ENG APPR.		
		ANGULAR: MACH ± BEND ±	MFG APPR.		
		TWO PLACE DECIMAL ±	Q.A.		
		THREE PLACE DECIMAL ±	COMMENTS:		
		INTERPRET GEOMETRIC TOLERANCING PER:			
		MATERIAL			
		FINISH			
NEXT ASSY	USED ON				
APPLICATION		DO NOT SCALE DRAWING			

TITLE:		
SIZE	DWG. NO.	REV
<b>A</b>	<b>2017 Table</b>	
SCALE: 1:50	WEIGHT:	SHEET 9 OF 15

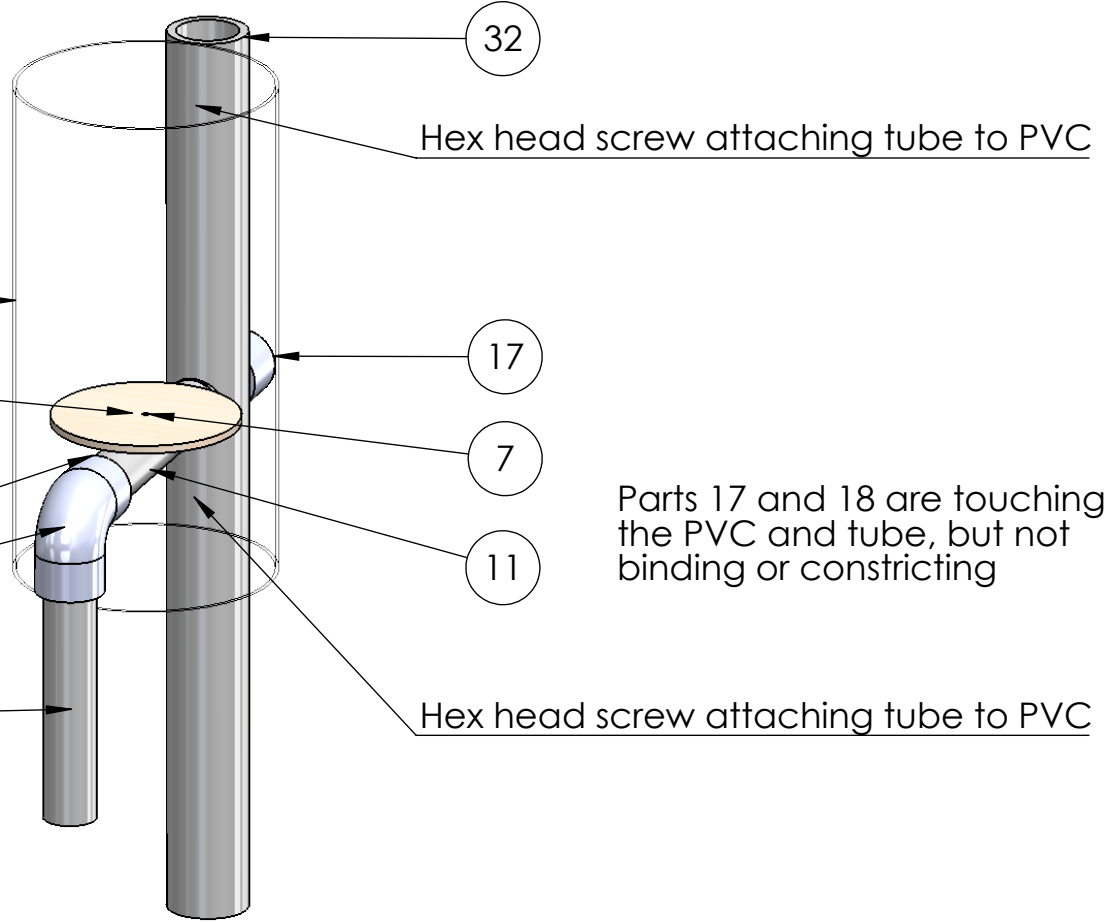
2

1

2

1

The top of the 4 inch clear tube should be flush with the top of the PVC pipe



A hex head screw through the center of part 7 holds it to part 11

Drill 7/8" hole through plastic tube for #11 2" up from bottom of tube (see template on Team Home Base)

Parts 17 and 18 are touching the PVC and tube, but not binding or constricting

Hex head screw attaching tube to PVC

Rotating #10 should dispense poms placed into #6

B

B

A

A

**PROPRIETARY AND CONFIDENTIAL**  
 THE INFORMATION CONTAINED IN THIS DRAWING IS THE SOLE PROPERTY OF <INSERT COMPANY NAME HERE>. ANY REPRODUCTION IN PART OR AS A WHOLE WITHOUT THE WRITTEN PERMISSION OF <INSERT COMPANY NAME HERE> IS PROHIBITED.

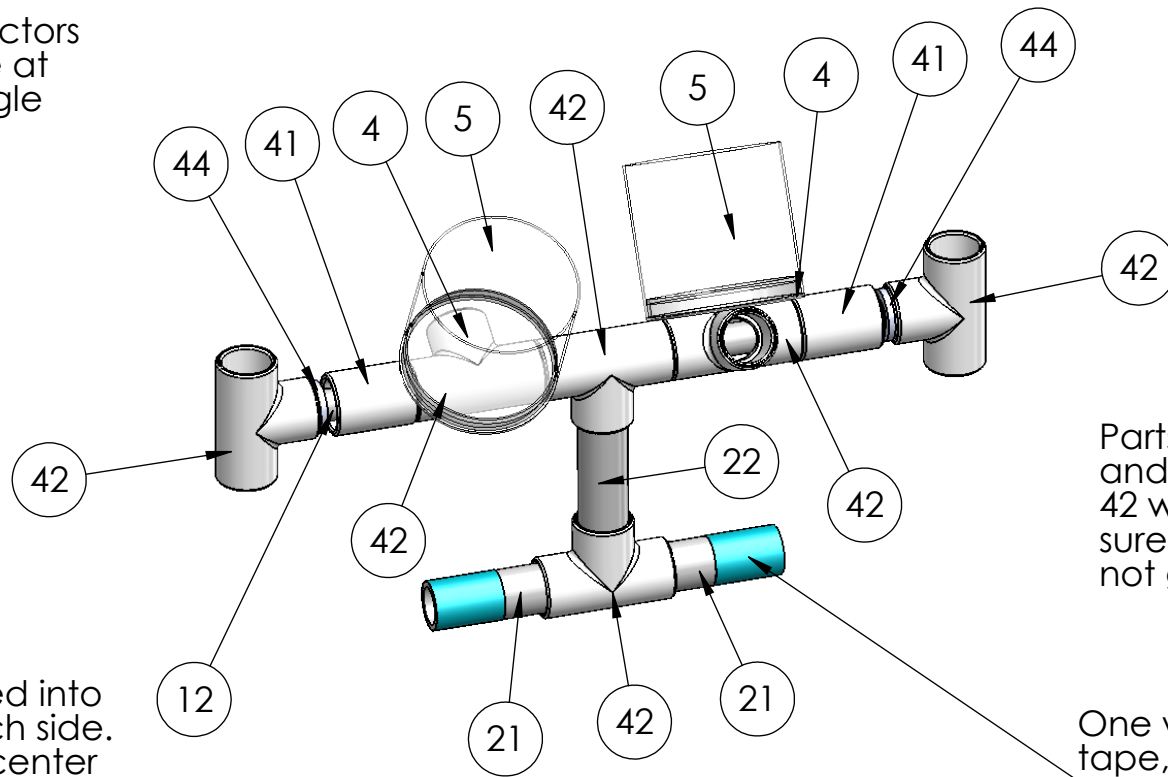
		UNLESS OTHERWISE SPECIFIED:		NAME	DATE
		DIMENSIONS ARE IN INCHES	DRAWN		
		TOLERANCES:	CHECKED		
		FRACTIONAL ±	ENG APPR.		
		ANGULAR: MACH ± BEND ±	MFG APPR.		
		TWO PLACE DECIMAL ±	Q.A.		
		THREE PLACE DECIMAL ±	COMMENTS:		
		INTERPRET GEOMETRIC TOLERANCING PER:			
		MATERIAL			
		FINISH			
NEXT ASSY	USED ON				
APPLICATION		DO NOT SCALE DRAWING			

TITLE:		
SIZE	DWG. NO.	REV
<b>A</b>	<b>2017 Table</b>	
SCALE: 1:50	WEIGHT:	SHEET 10 OF 15

2

1

The three T connectors across the top are at at 120 degree angle to each other



Parts 4 are centered on and attached to parts 42 with hex screws - make sure that the screws do not go into #12

Part 12 is inserted into parts 44 on each side. This allows the center assembly to rotate around part 12

One wrap of aqua Duct tape, flush with edge

B

B

A

A

**PROPRIETARY AND CONFIDENTIAL**  
THE INFORMATION CONTAINED IN THIS DRAWING IS THE SOLE PROPERTY OF <INSERT COMPANY NAME HERE>. ANY REPRODUCTION IN PART OR AS A WHOLE WITHOUT THE WRITTEN PERMISSION OF <INSERT COMPANY NAME HERE> IS PROHIBITED.

		UNLESS OTHERWISE SPECIFIED:		NAME	DATE
		DIMENSIONS ARE IN INCHES	DRAWN		
		TOLERANCES:	CHECKED		
		FRACTIONAL ±	ENG APPR.		
		ANGULAR: MACH ± BEND ±	MFG APPR.		
		TWO PLACE DECIMAL ±	Q.A.		
		THREE PLACE DECIMAL ±	COMMENTS:		
		INTERPRET GEOMETRIC TOLERANCING PER:			
		MATERIAL			
NEXT ASSY	USED ON	FINISH			
	APPLICATION	DO NOT SCALE DRAWING			

TITLE:		
SIZE	DWG. NO.	REV
<b>A</b>	<b>2017 Table</b>	
SCALE: 1:50	WEIGHT:	SHEET 11 OF 15

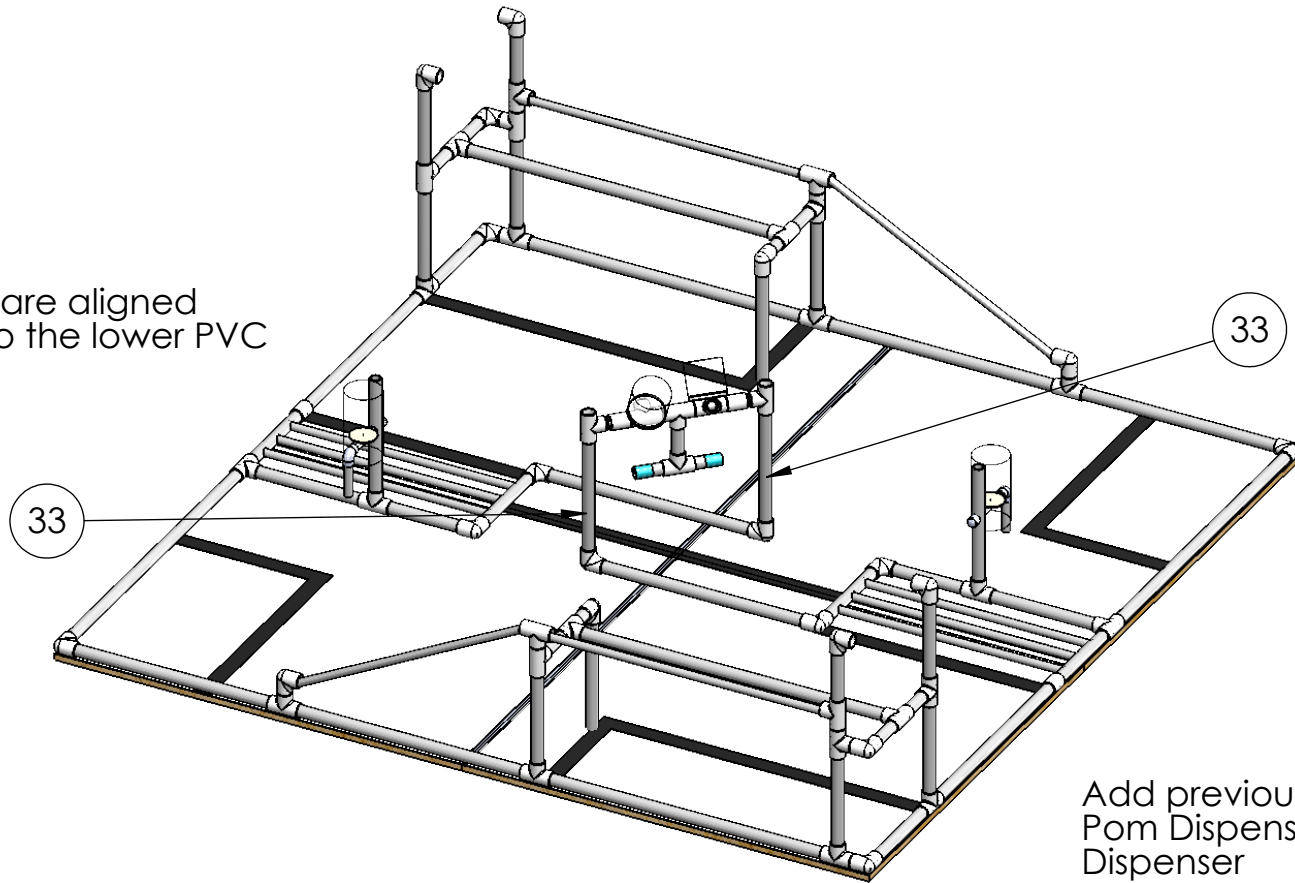
2

1

B

B

Pom Dispensers are aligned perpendicular to the lower PVC



Add previously constructed Pom Dispensers and Center Dispenser

A

A

**PROPRIETARY AND CONFIDENTIAL**  
 THE INFORMATION CONTAINED IN THIS DRAWING IS THE SOLE PROPERTY OF <INSERT COMPANY NAME HERE>. ANY REPRODUCTION IN PART OR AS A WHOLE WITHOUT THE WRITTEN PERMISSION OF <INSERT COMPANY NAME HERE> IS PROHIBITED.

		UNLESS OTHERWISE SPECIFIED:		NAME	DATE			
		DIMENSIONS ARE IN INCHES	DRAWN			TITLE:		
		TOLERANCES:	CHECKED					
		FRACTIONAL ±	ENG APPR.					
		ANGULAR: MACH ± BEND ±	MFG APPR.					
		TWO PLACE DECIMAL ±	Q.A.					
		THREE PLACE DECIMAL ±	COMMENTS:			SIZE	DWG. NO.	REV
		INTERPRET GEOMETRIC TOLERANCING PER:				<b>A 2017 Table</b>		
		MATERIAL				SCALE: 1:50	WEIGHT:	SHEET 12 OF 15
		FINISH						
	NEXT ASSY	USED ON						
	APPLICATION		DO NOT SCALE DRAWING					

2

1

2

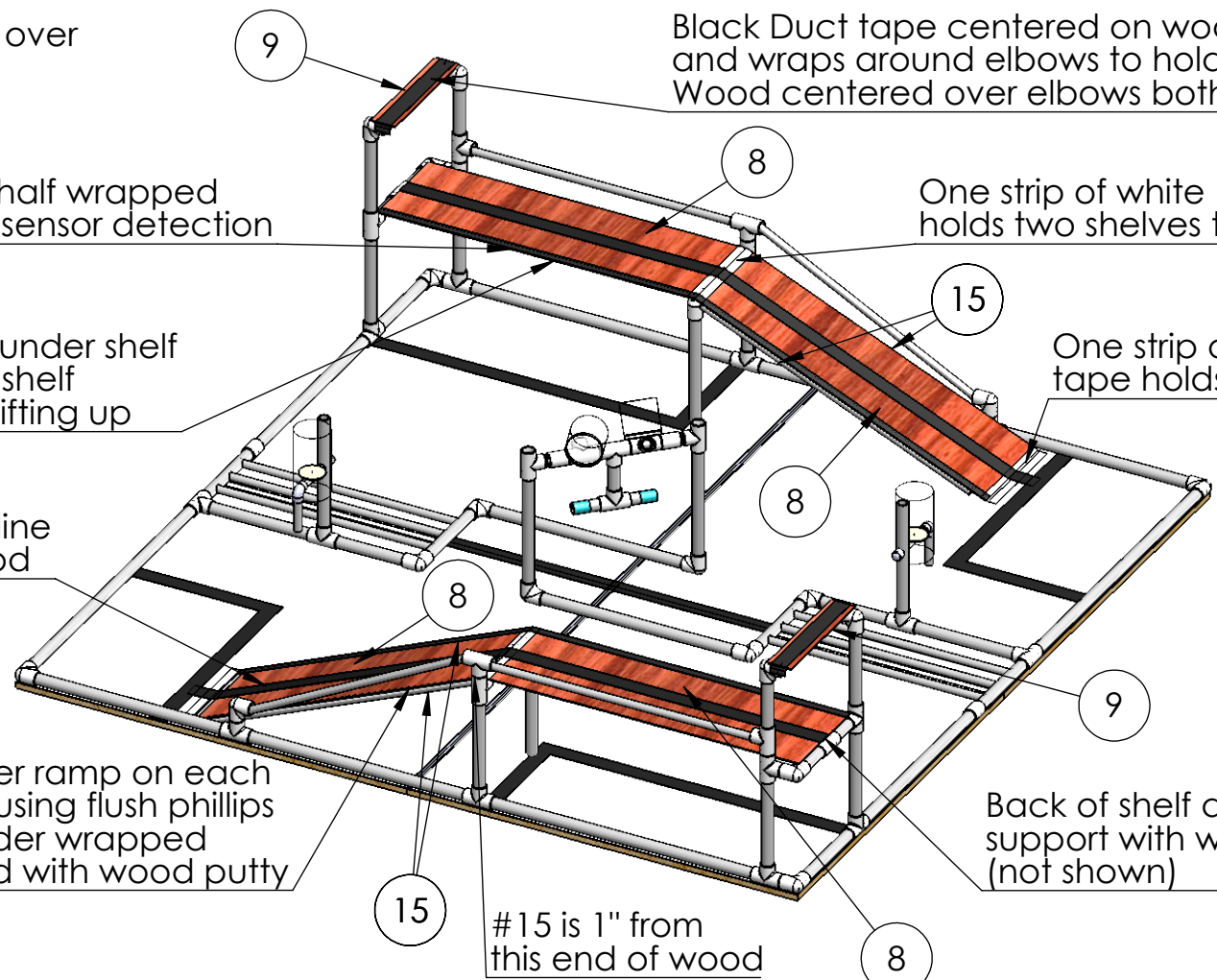
1

B

B

A

A



Black Duct tape over white Duct tape

Black Duct tape centered on wood and wraps around elbows to hold shelf  
Wood centered over elbows both directions

Black Duct tape half wrapped around edge for sensor detection

One strip of white Duct tape holds two shelves together

White duct tape under shelf center to attach shelf to keep #8 from lifting up

One strip of white Duct tape holds shelf to surface

Black Duct tape line centered on wood

PVC secured under ramp on each side from the top using flush phillips screws hidden under wrapped black tape or filled with wood putty

Back of shelf attached to PVC support with white Duct tape (not shown)

#15 is 1" from this end of wood

**PROPRIETARY AND CONFIDENTIAL**  
 THE INFORMATION CONTAINED IN THIS DRAWING IS THE SOLE PROPERTY OF <INSERT COMPANY NAME HERE>. ANY REPRODUCTION IN PART OR AS A WHOLE WITHOUT THE WRITTEN PERMISSION OF <INSERT COMPANY NAME HERE> IS PROHIBITED.

		UNLESS OTHERWISE SPECIFIED:		NAME	DATE
		DIMENSIONS ARE IN INCHES TOLERANCES: FRACTIONAL ± ANGULAR: MACH ± BEND ± TWO PLACE DECIMAL ± THREE PLACE DECIMAL ±		DRAWN	
		INTERPRET GEOMETRIC TOLERANCING PER:		CHECKED	
		MATERIAL		ENG APPR.	
		FINISH		MFG APPR.	
NEXT ASSY	USED ON			Q.A.	
APPLICATION		DO NOT SCALE DRAWING		COMMENTS:	

TITLE:		
SIZE	DWG. NO.	REV
<b>A</b>	<b>2017 Table</b>	
SCALE: 1:50 WEIGHT:		SHEET 13 OF 15

2

1

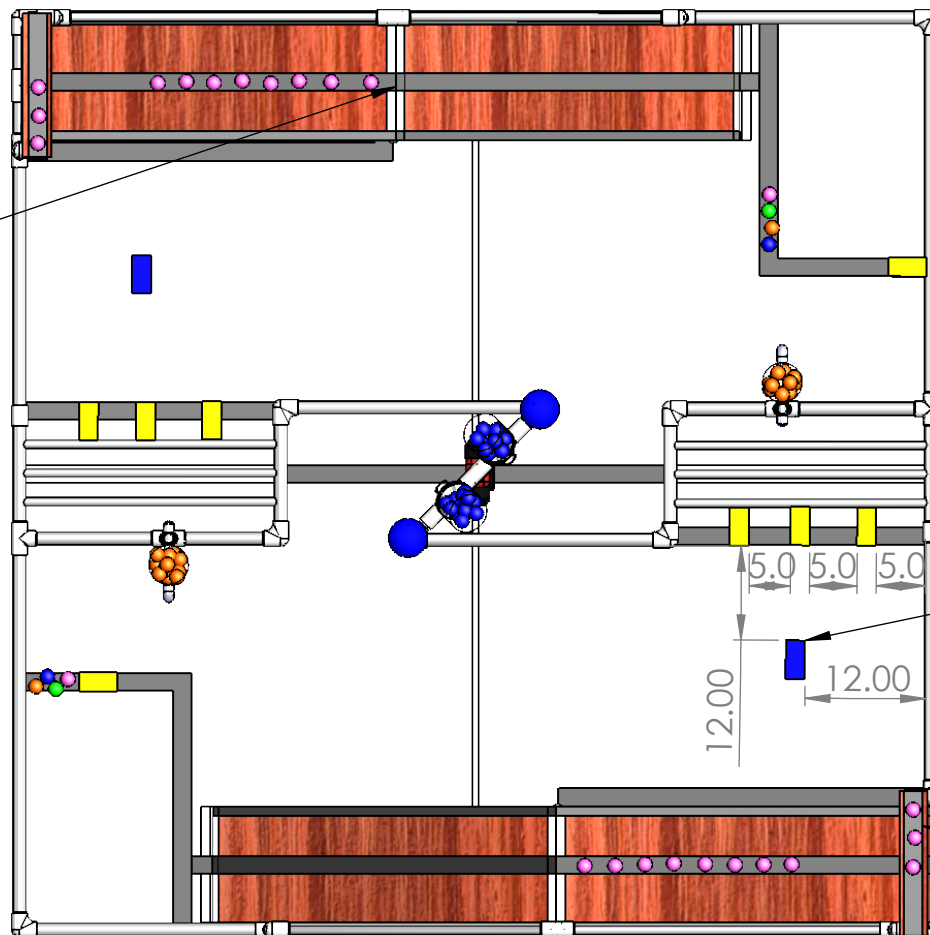
2

1

Pink Poms centered on black tape, spaced 3 inches apart and 1.5 inches from ramp-shelf edge - center to center

B

B



designated by rectangle pencil mark

Pink Poms 1.5 inches from edge and 3 inches from each other - center to center

A

A

**PROPRIETARY AND CONFIDENTIAL**  
 THE INFORMATION CONTAINED IN THIS DRAWING IS THE SOLE PROPERTY OF <INSERT COMPANY NAME HERE>. ANY REPRODUCTION IN PART OR AS A WHOLE WITHOUT THE WRITTEN PERMISSION OF <INSERT COMPANY NAME HERE> IS PROHIBITED.

		UNLESS OTHERWISE SPECIFIED:		NAME	DATE
		DIMENSIONS ARE IN INCHES	DRAWN		
		TOLERANCES:	CHECKED		
		FRACTIONAL ±	ENG APPR.		
		ANGULAR: MACH ± BEND ±	MFG APPR.		
		TWO PLACE DECIMAL ±	Q.A.		
		THREE PLACE DECIMAL ±	COMMENTS:		
		INTERPRET GEOMETRIC TOLERANCING PER:			
		MATERIAL			
		FINISH			
NEXT ASSY	USED ON				
APPLICATION		DO NOT SCALE DRAWING			

TITLE:		
SIZE	DWG. NO.	REV
<b>A</b>	<b>2017 Table</b>	
SCALE: 1:50	WEIGHT:	SHEET 14 OF 15

2

1

2

1

Held in place with white Duct tape across back and between bin and wood

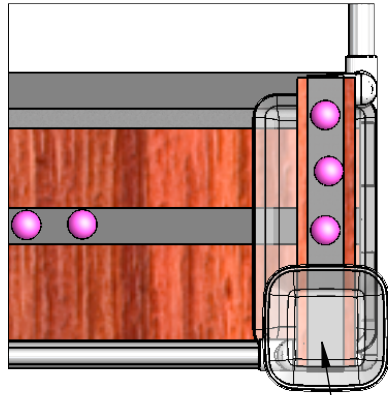
Teal Duct Tape strip horizontally across front of bin (not shown)

Green pom bin centered under ramp touching divider

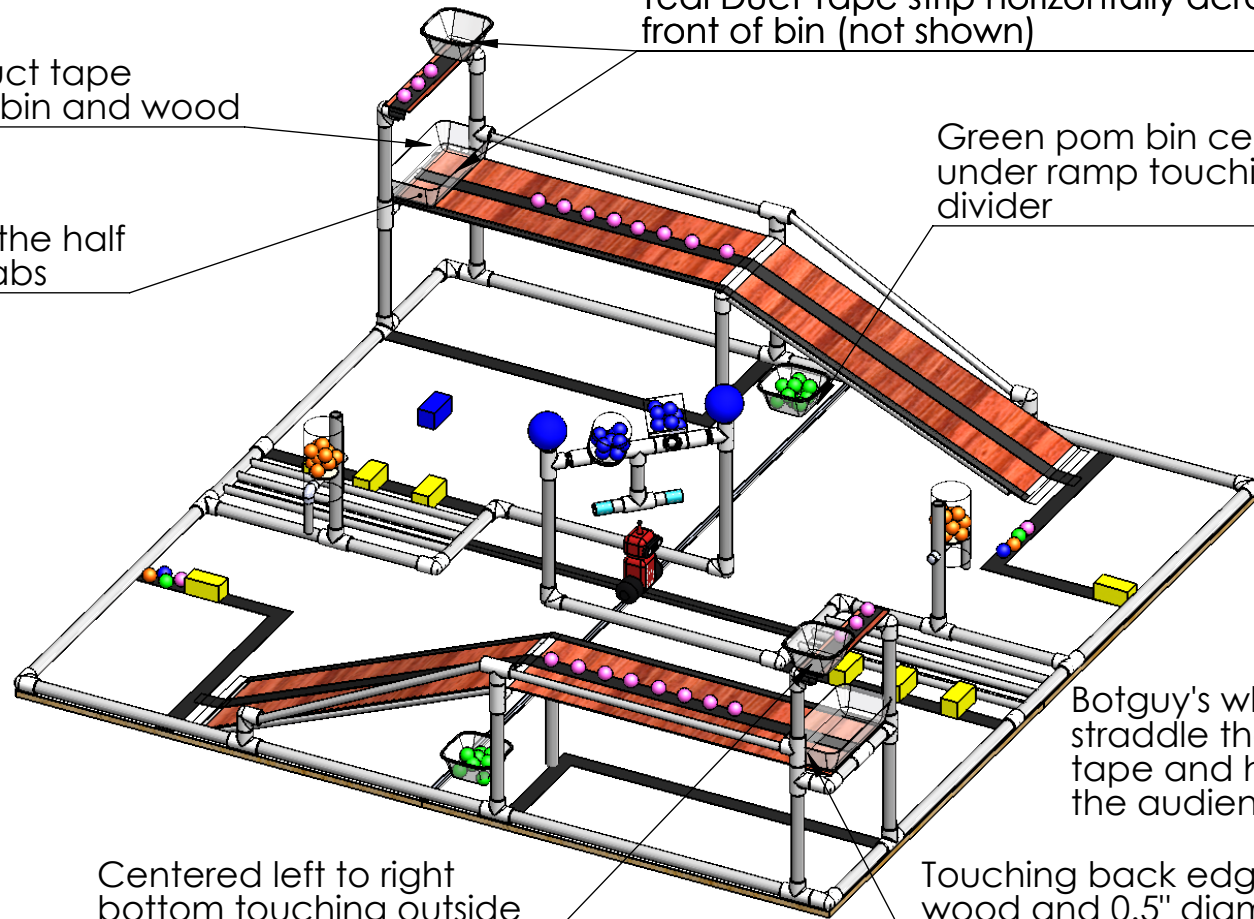
Cut bins in half and use the half **without** the 45 degree tabs

B

B



Attached by one tape loop and one hex screw through bottom into PVC elbow



Centered left to right bottom touching outside edge of wood

Botguy's wheels straddle the black tape and he faces the audience  
Touching back edge of wood and 0.5" diameter PVC/T connector

A

A

**PROPRIETARY AND CONFIDENTIAL**  
THE INFORMATION CONTAINED IN THIS DRAWING IS THE SOLE PROPERTY OF <INSERT COMPANY NAME HERE>. ANY REPRODUCTION IN PART OR AS A WHOLE WITHOUT THE WRITTEN PERMISSION OF <INSERT COMPANY NAME HERE> IS PROHIBITED.

		UNLESS OTHERWISE SPECIFIED:		NAME	DATE
		DIMENSIONS ARE IN INCHES TOLERANCES: FRACTIONAL ± ANGULAR: MACH ± BEND ± TWO PLACE DECIMAL ± THREE PLACE DECIMAL ±	DRAWN		
		INTERPRET GEOMETRIC TOLERANCING PER:	CHECKED		
		MATERIAL	ENG APPR.		
		FINISH	MFG APPR.		
			Q.A.		
			COMMENTS:		
NEXT ASSY	USED ON				
APPLICATION		DO NOT SCALE DRAWING			

TITLE:		
SIZE	DWG. NO.	REV
<b>A</b>	<b>2017 Table</b>	
SCALE: 1:50 WEIGHT:		SHEET 15 OF 15

2

1